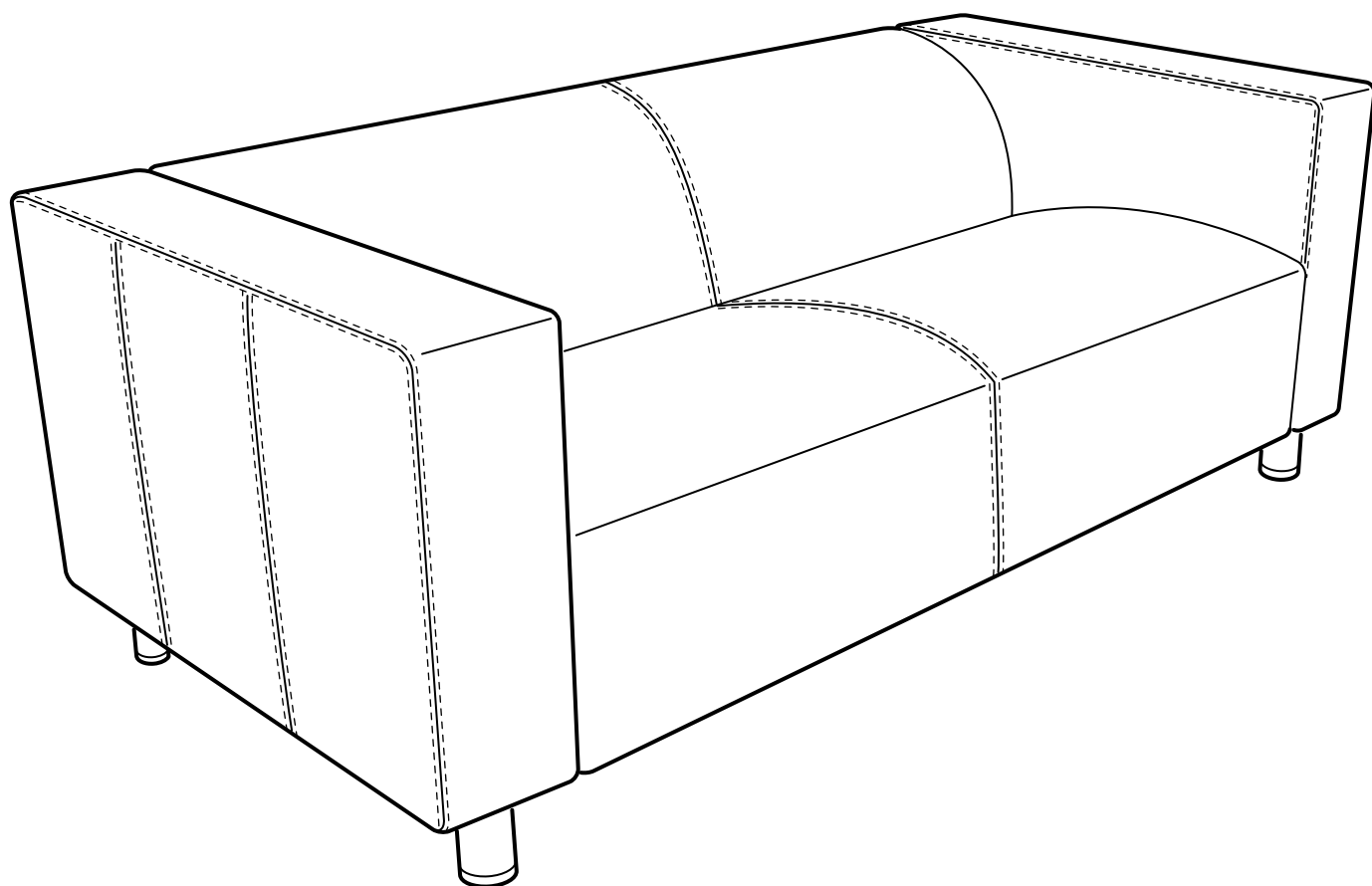
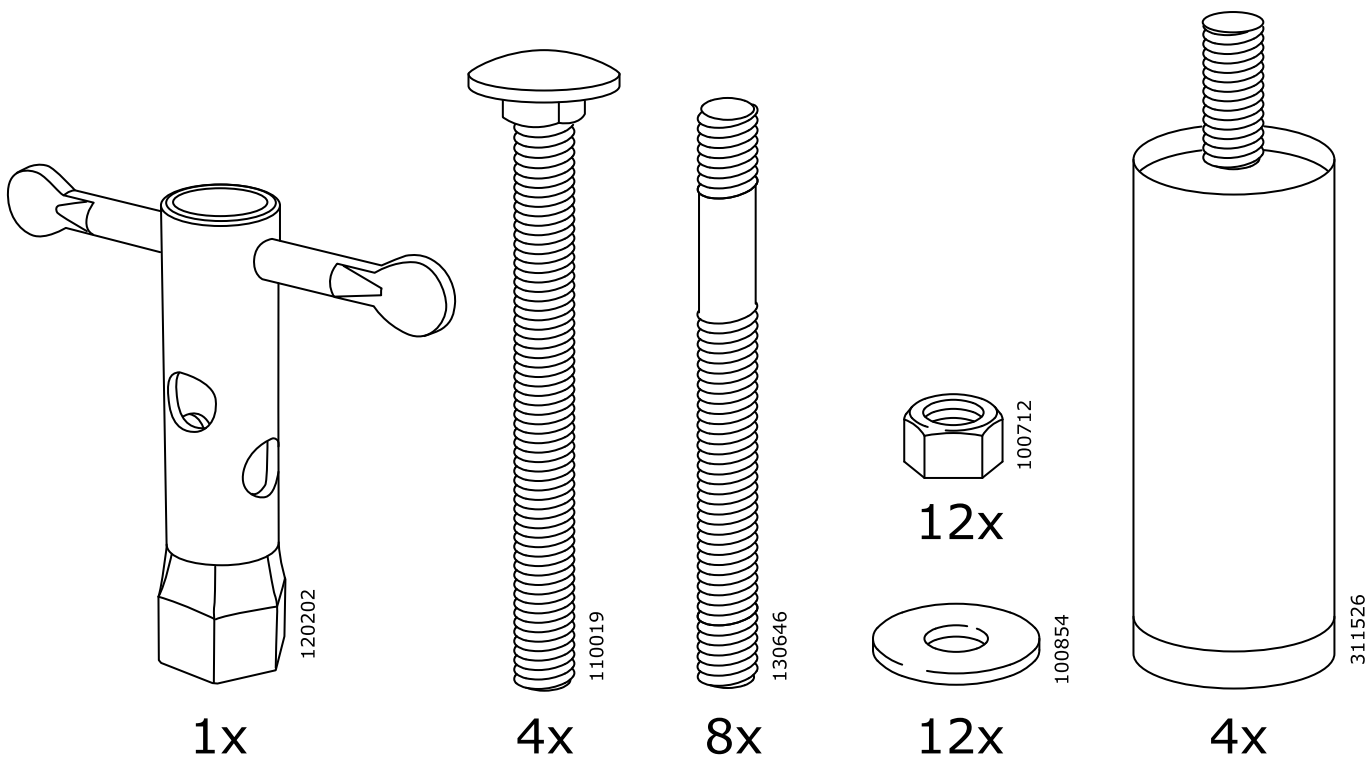
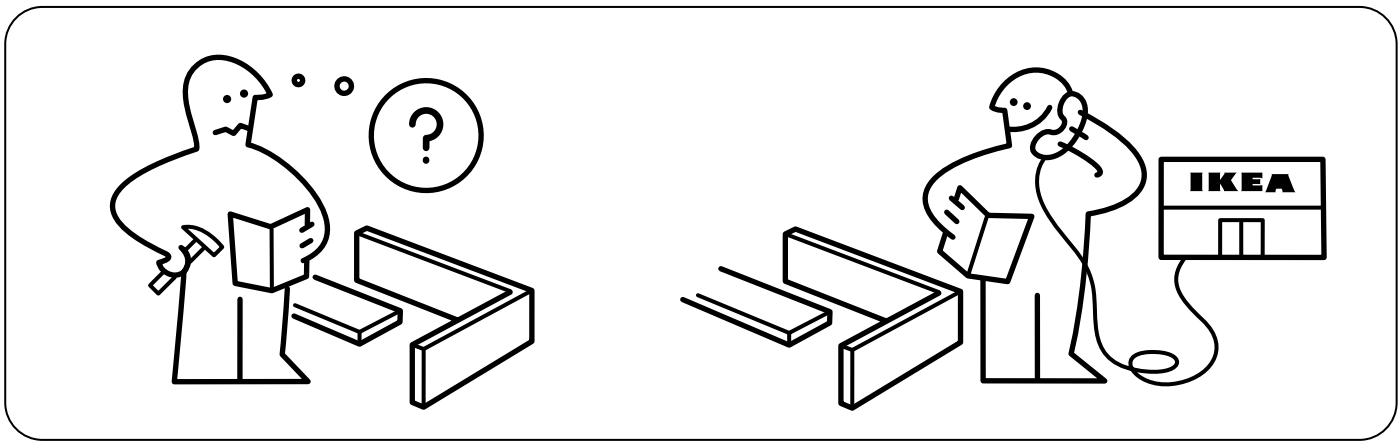
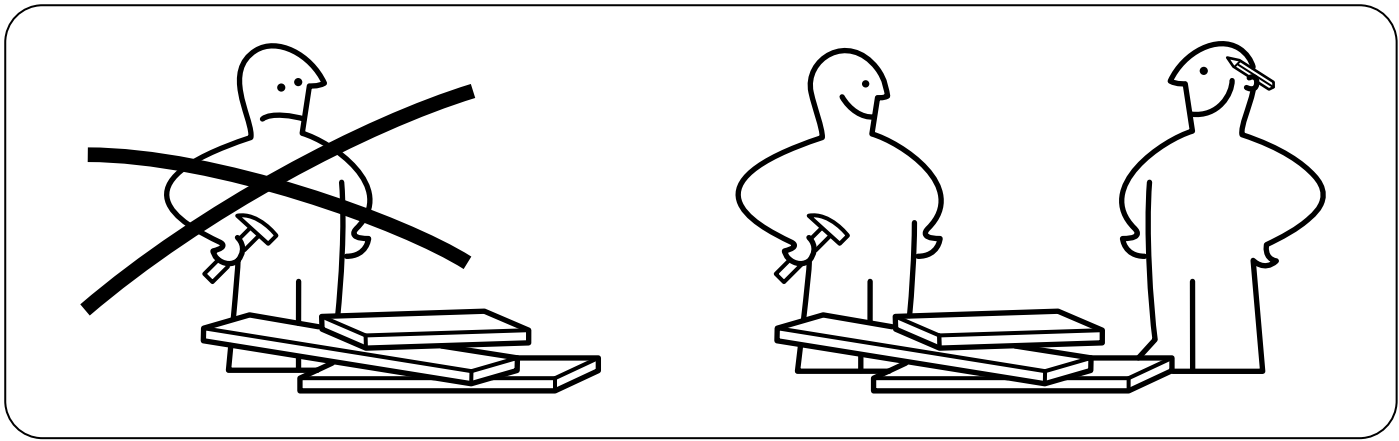


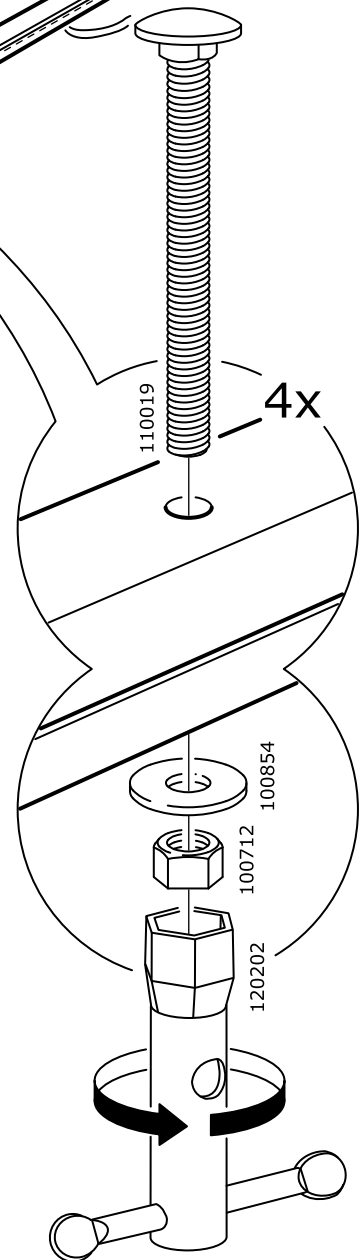
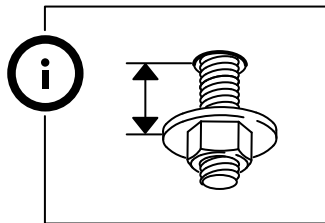
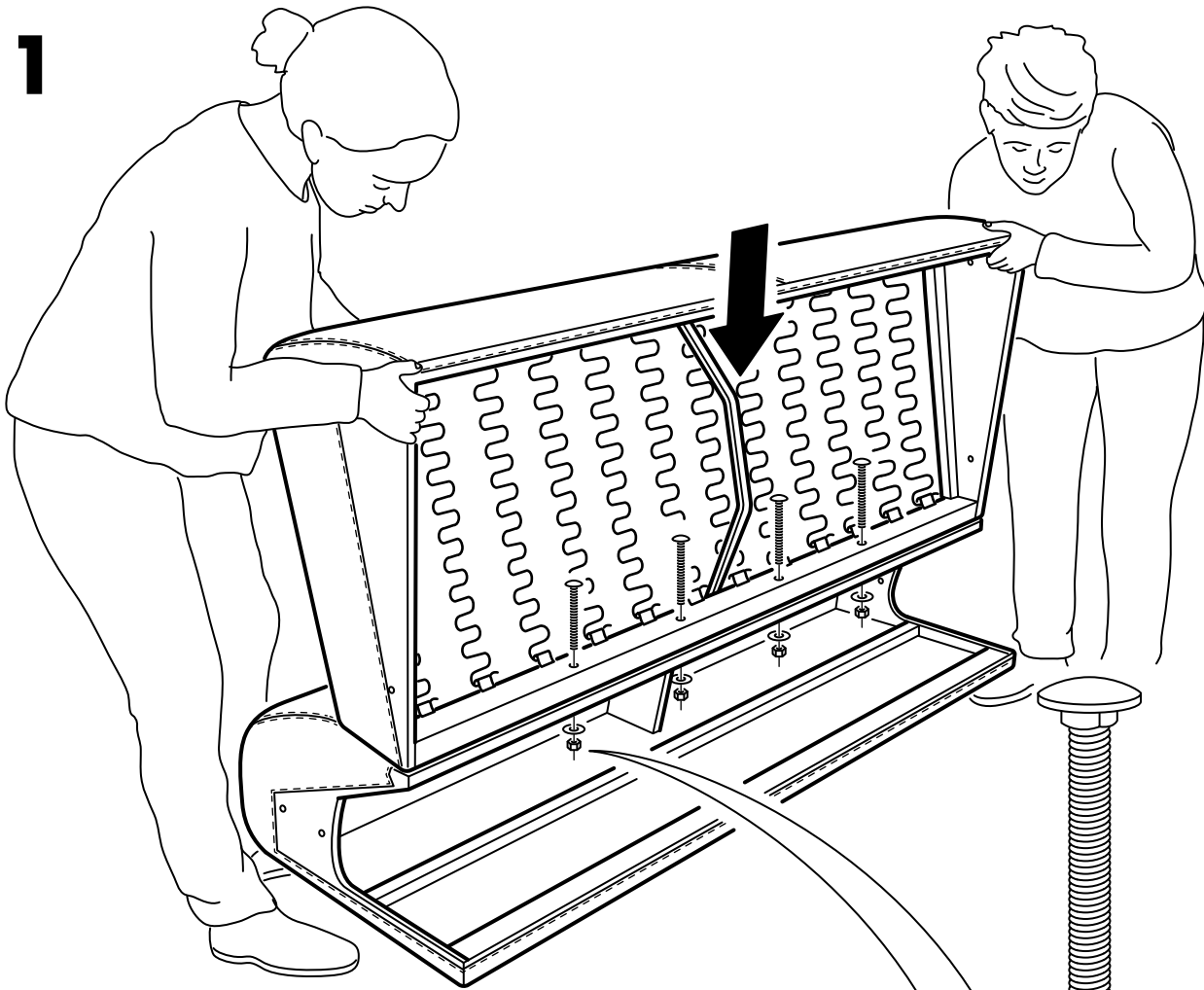
# KLIPPAN



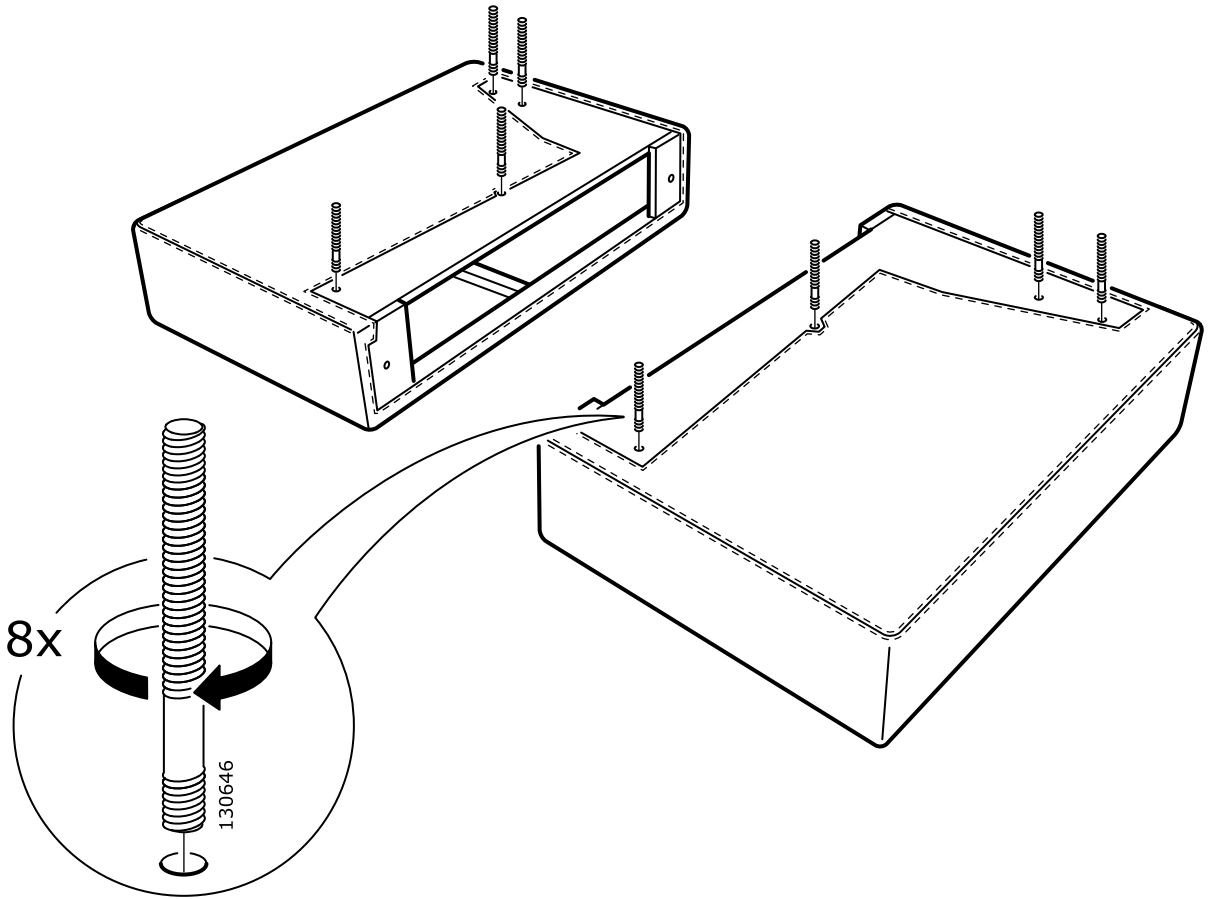
Design and Quality  
IKEA of Sweden



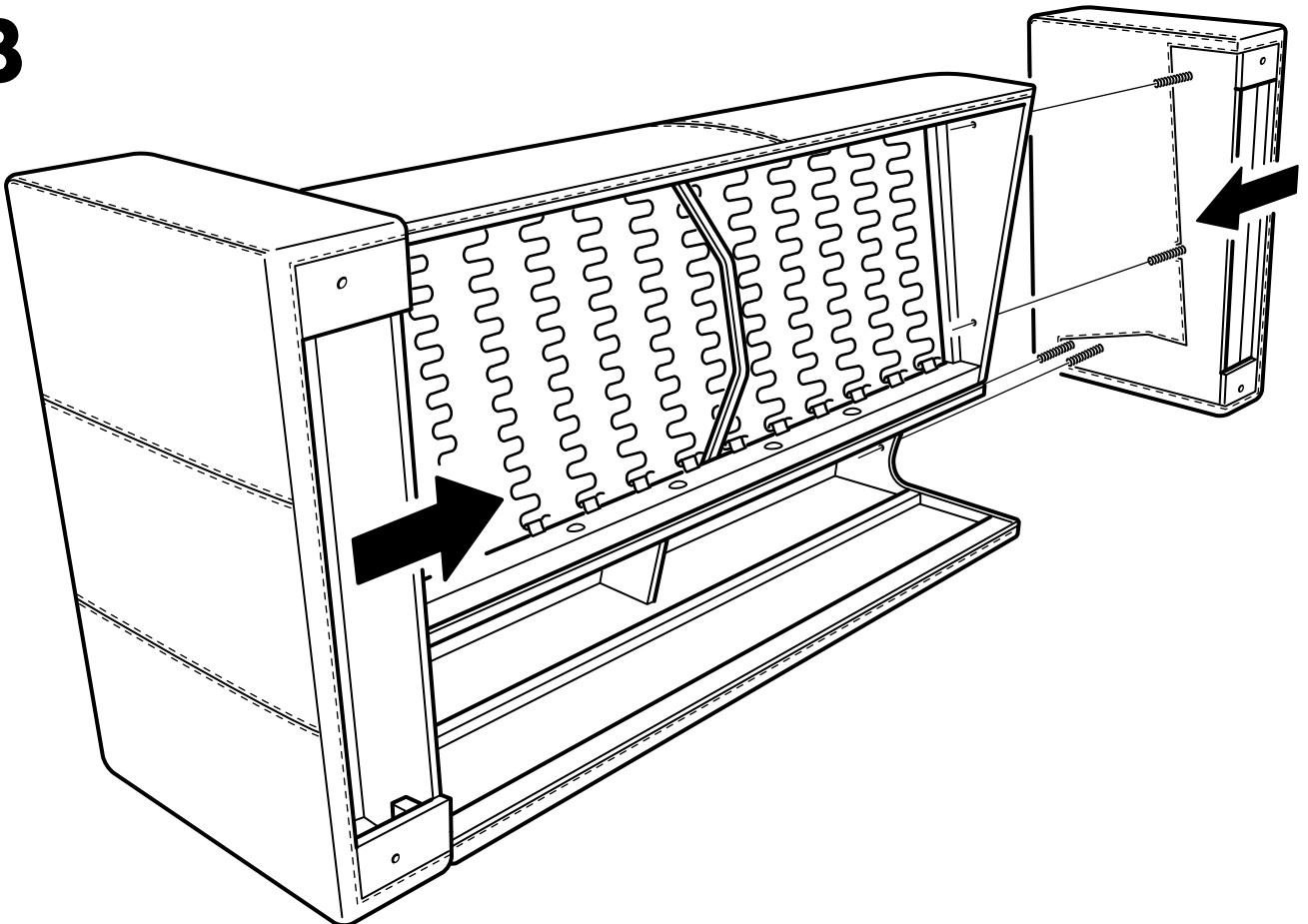
1



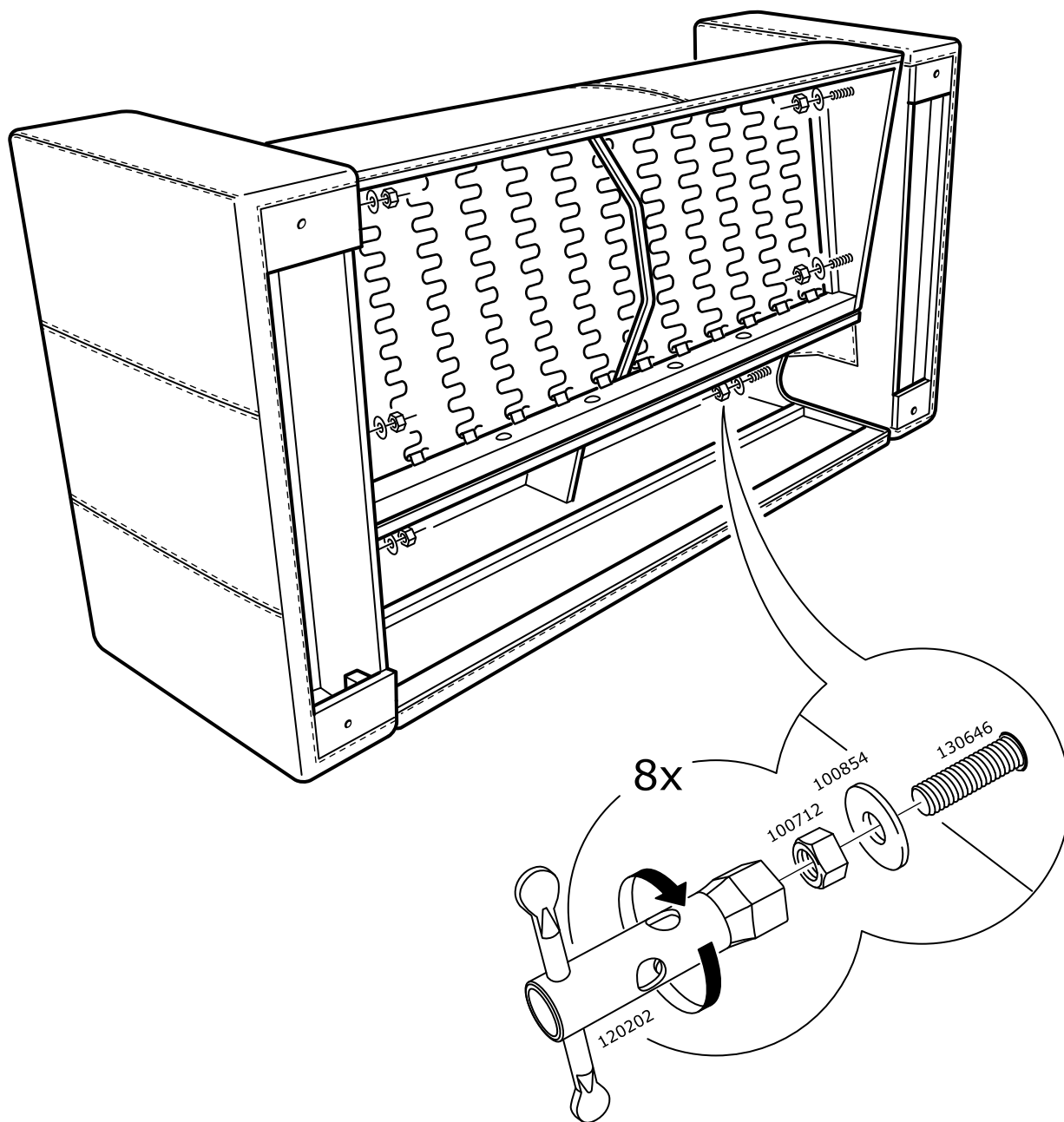
**2**



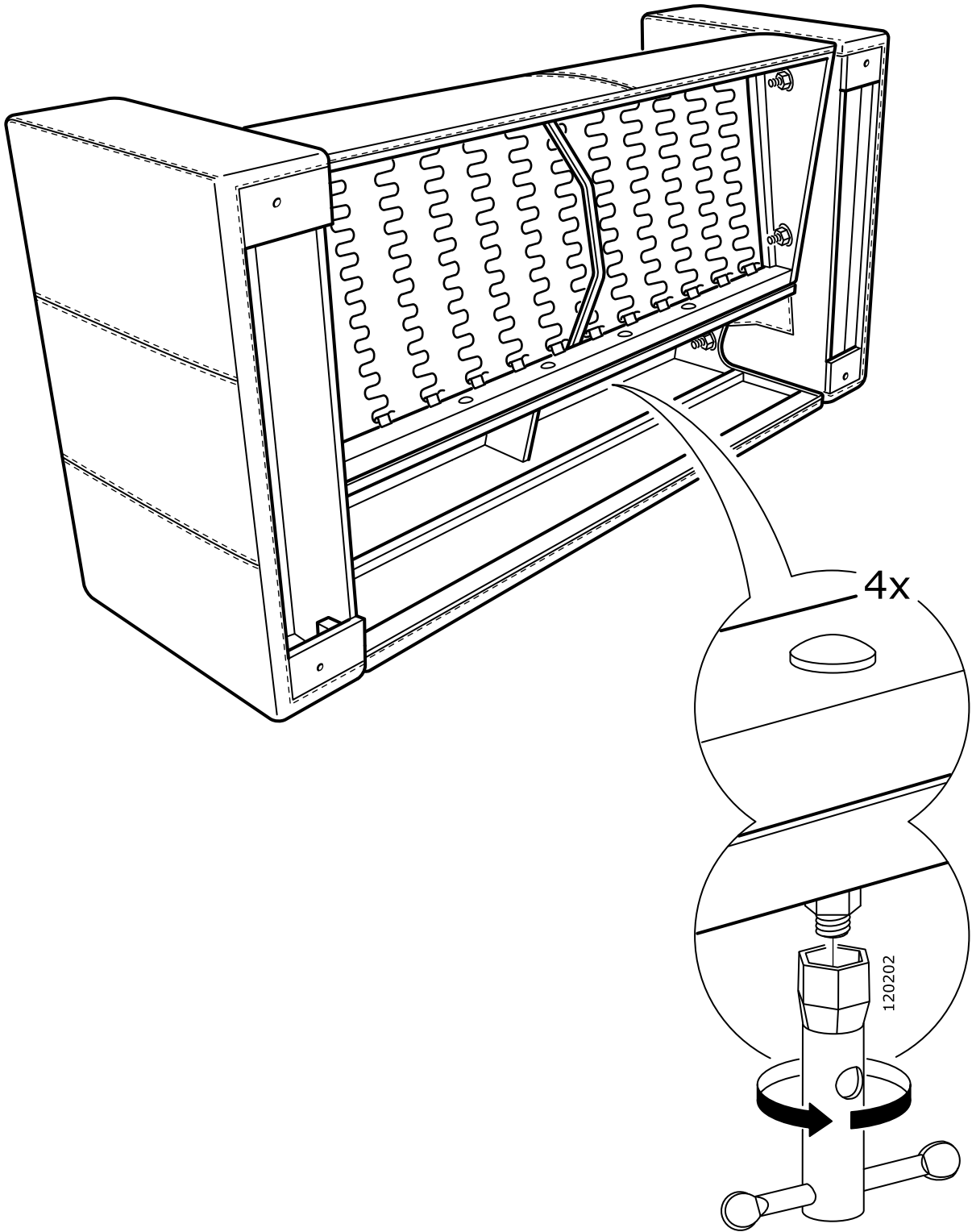
**3**



4



5



6

