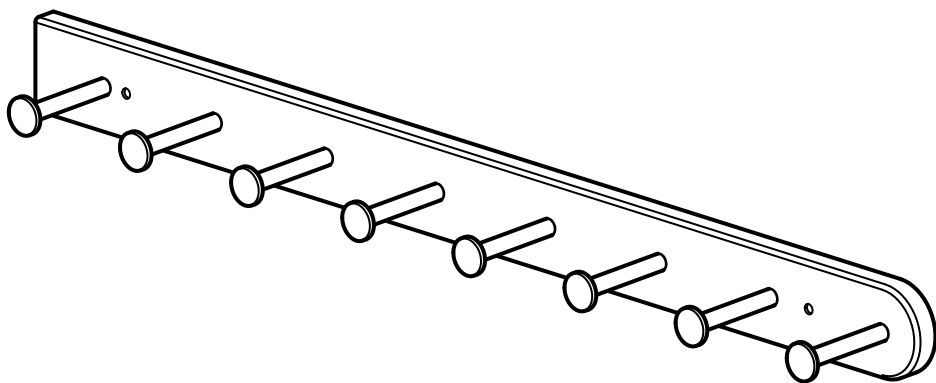
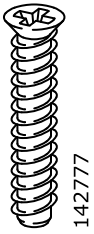
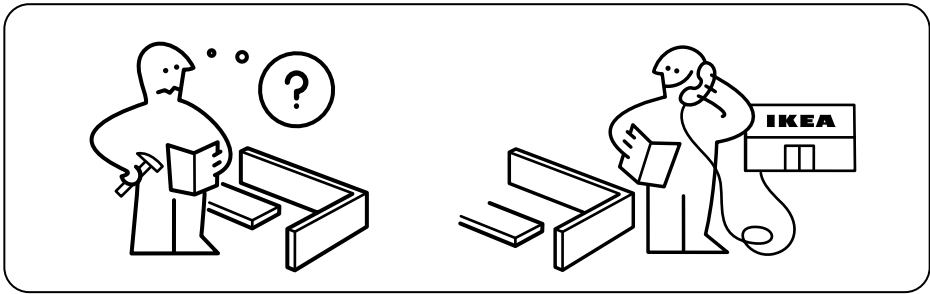
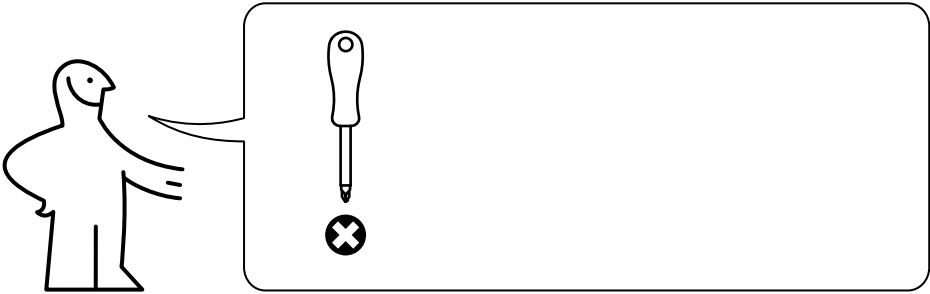


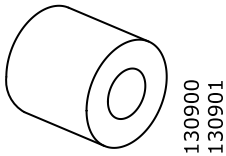
KOMPLEMENT



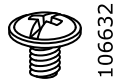
Design and Quality
IKEA of Sweden



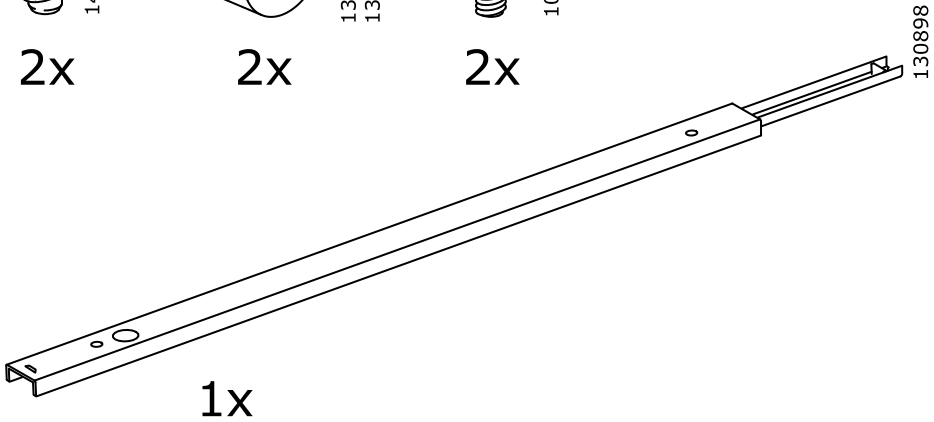
2x



2x

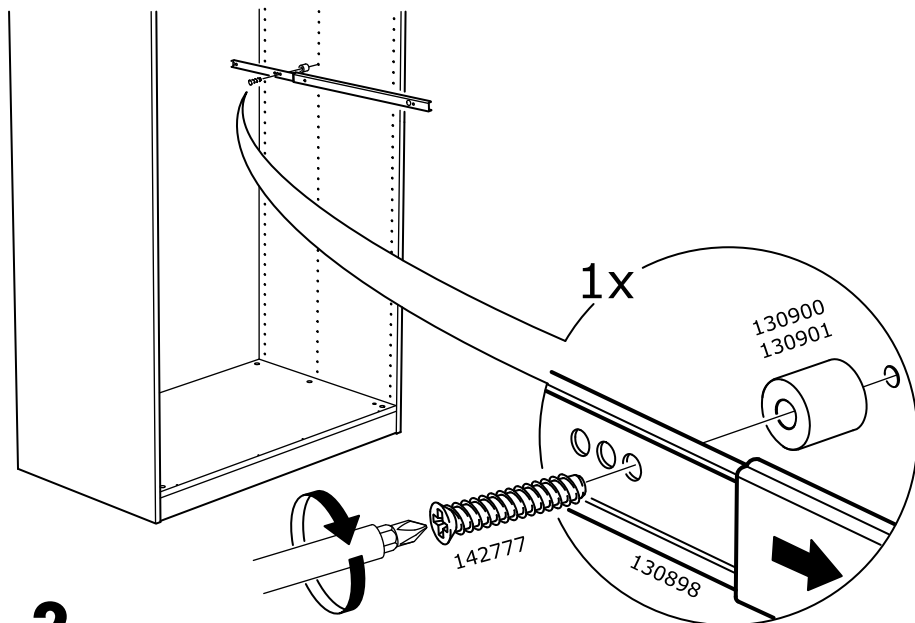


2x

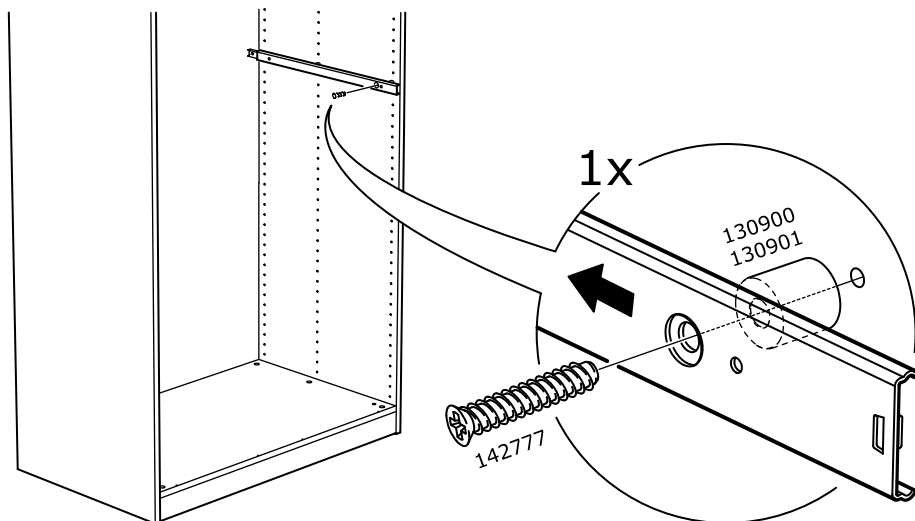


1x

1



2



3

