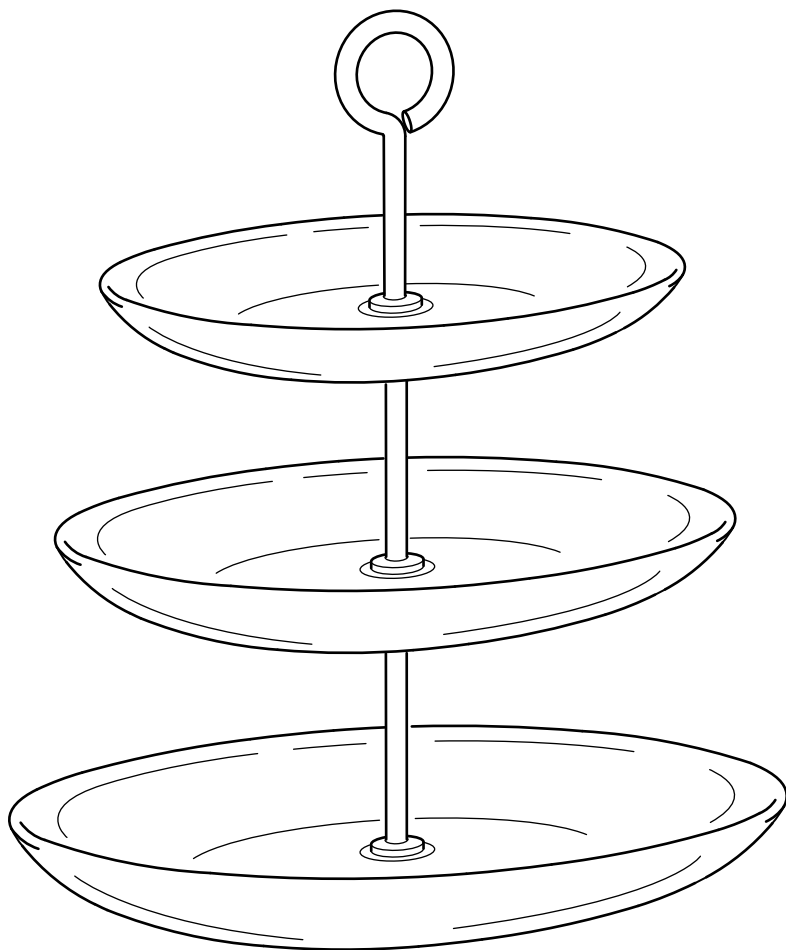
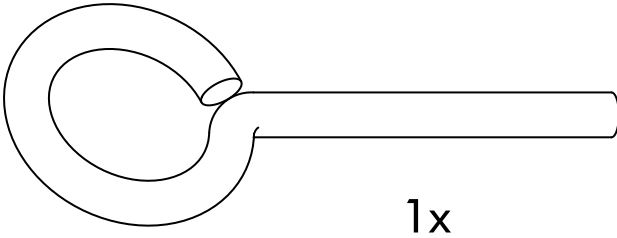
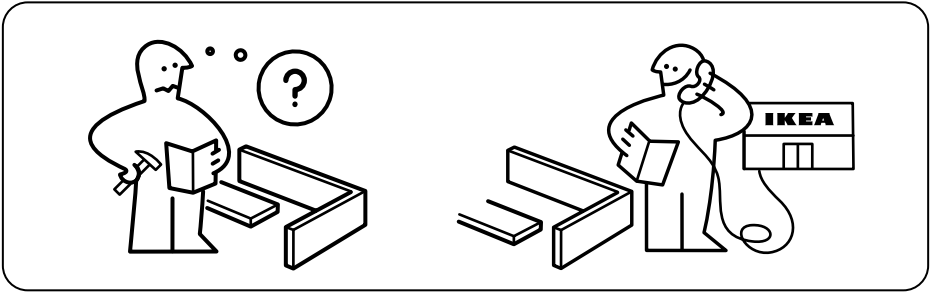
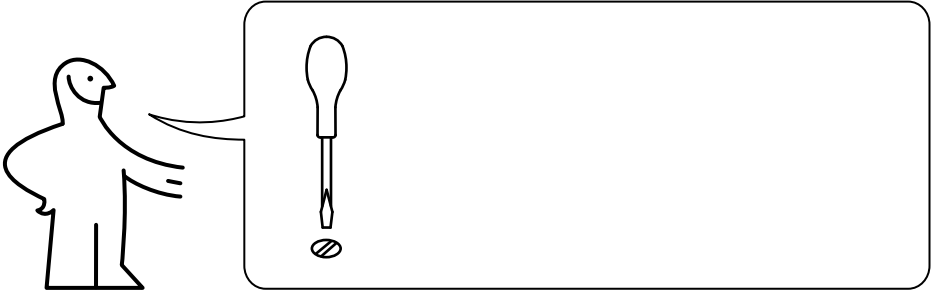


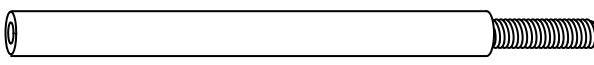
# KVITTERA



Design and Quality  
IKEA of Sweden



1x



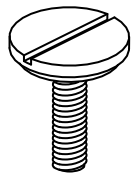
2x



5x

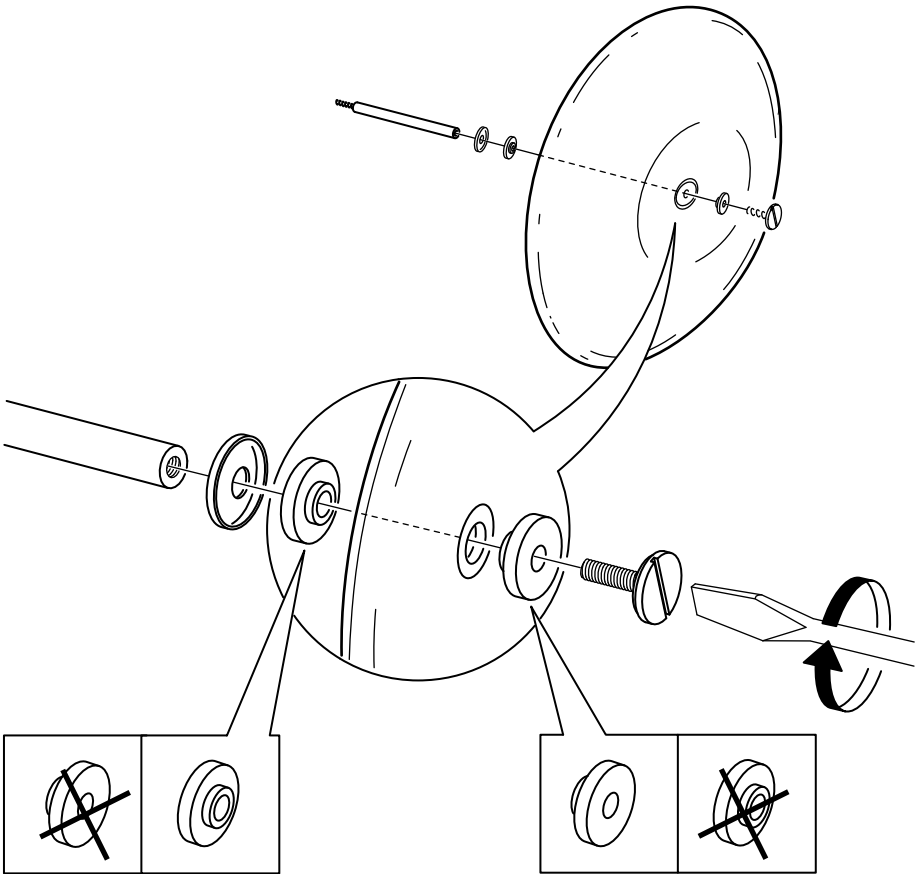
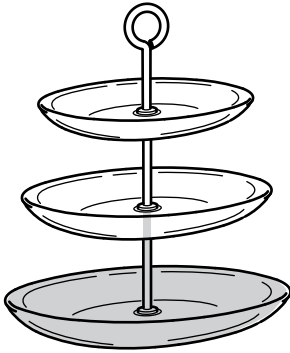


6x

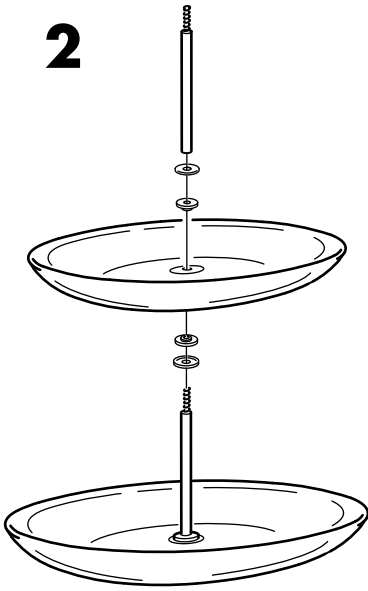


1x

1



**2**



**3**

